

# Pelican Pool & Spa Hoist Floating Sling



The Para Mobility Floating Sling is a specialised support sling specifically designed for use with the Pelican Pool & Spa Hoists to safely lower, transfer and support individuals in aquatic environments.

## **BENEFITS OF PARA MOBILITY FLOATING SLINGS**

- **Provides safe and supported positioning in water**
  - Designed to keep the user buoyant and safely supported while in a horizontal or semi-reclined position, preventing sinking or unsafe tilting.
- **Enhances comfort during aquatic therapy**
  - The materials and construction reduce discomfort and pressure while in the water.
  - Soft padded components increase comfort during hydrotherapy.
- **Reduces physical handling requirements**
  - Specifically designed to minimise the need for caregivers to manually hold or stabilise users while in the pool.
  - Significantly reduces handling needs in the water, allowing safer and more independent aquatic therapy.
- **Suitable for a wide range of users**
  - Floating slings support people with low mobility, neurological conditions, balance issues or full-body support needs.
  - They are approved for use across public pools, leisure centres, private homes, nursing homes, and schools.
- **Support for therapy and rehabilitation**
  - The floating sling provides buoyancy and stability support which allows therapists to focus on treatment exercises rather than stabilising the patient.

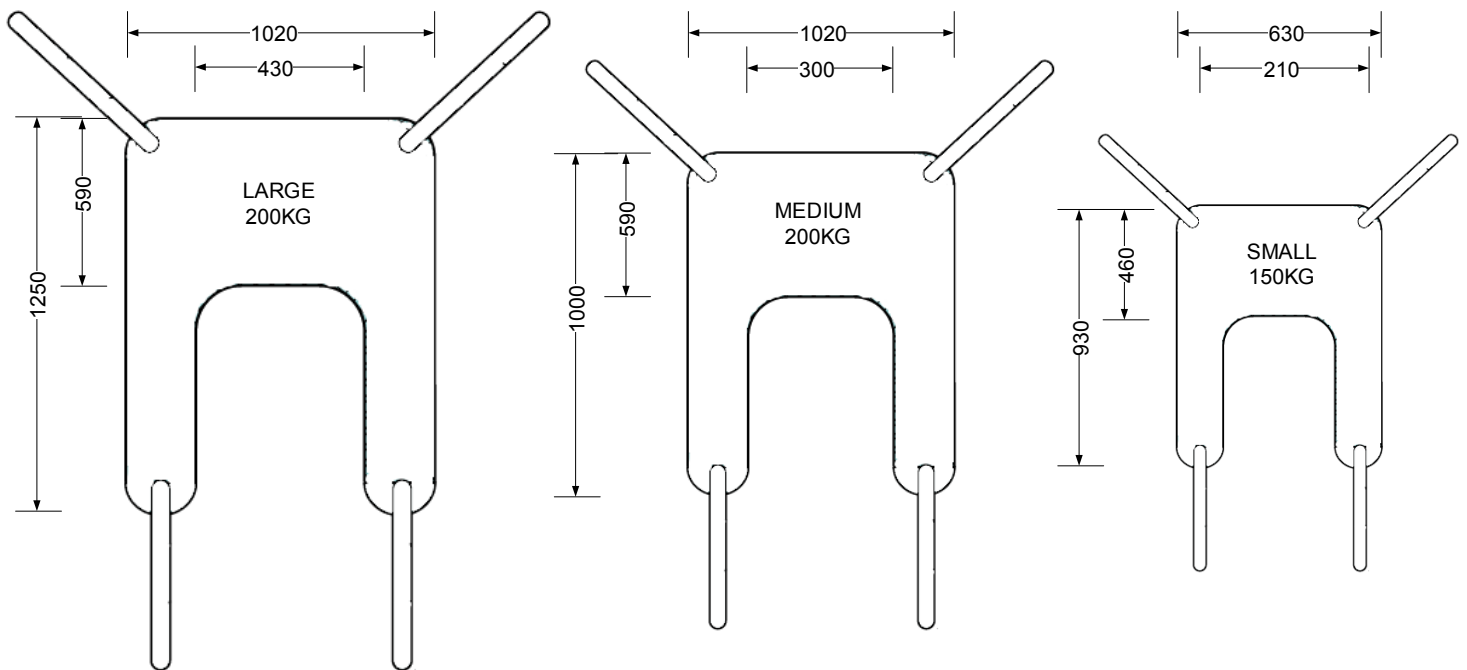


**Para Mobility**  
Making everyday living easier

**Phone 1300 444 600**

Delivery, installation + servicing Australia wide  
[enquiries@paramobility.com.au](mailto:enquiries@paramobility.com.au)  
[www.paramobility.com.au](http://www.paramobility.com.au)

# Pelican Pool & Spa Hoist Floating Sling



## AVAILABLE SIZES

Available in three standard sizes to meet the needs of most users:

- Small: 150kg SWL
- Medium: 200kg SWL
- Large: 200kg SWL

## CARE GUIDE

After use, rinse using fresh water (not chlorinated). This will minimise any potential build-up of chemicals. In the event of stubborn stains or heavy deposit build up, specialised cleaning materials may be needed. Hang to dry when not in use.



**ParaMobility**  
Making everyday living easier

**Phone 1300 444 600**

Delivery, installation + servicing Australia wide  
[enquiries@paramobility.com.au](mailto:enquiries@paramobility.com.au)  
[www.paramobility.com.au](http://www.paramobility.com.au)